



C&C INDUSTRIES, INC.

# 2000# 2-PC WCB Ball Valve

## BVBU Series

### Description

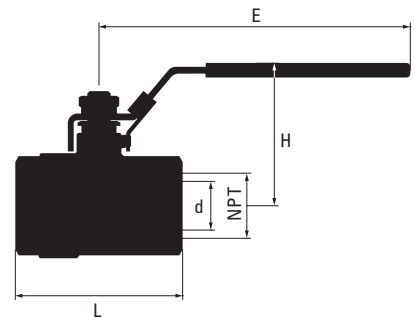
Sizes: 1/4" – 2" @ 2,000 PSI NSCWP  
 2 1/2" – 4" @ 1,000 PSI NSCWP  
 Bore: Full Port  
 Temperature: -20°F ~ +324°F  
 End Connections: Female NPT

### Features

2-piece Seal Welded Body  
 Blow-out Proof Stem Design  
 Locking Handle

### Specifications

Inspection and Test per API 598  
 NPT Threads per ASME B1.20.1  
 Materials per NACE MR0175-2009 ed.



Nominal Size	H	E	L	d	Part No.	Box Qty	Weight (lbs) Each
1/4"	2.00	4.13	2.08	0.42	BVBU025-2000	50	0.59
3/8"	2.00	4.13	2.08	0.49	BVBU0375-2000	50	0.59
1/2"	2.56	4.72	2.48	0.59	BVBU050-2000	50	0.84
3/4"	2.68	4.72	2.83	0.78	BVBU075-2000	30	1.29
1"	2.87	6.10	3.38	0.98	BVBU100-2000	20	2.23
1 1/4"	3.18	6.10	3.93	1.25	BVBU125-2000	20	3.27
1 1/2"	3.58	7.48	4.25	1.49	BVBU150-2000	10	5.37
2"	3.94	7.48	4.84	1.96	BVBU200-2000	8	8.34
2 1/2"*	4.94	9.84	6.24	2.55	BVBU250-1000	5	15
3"*	5.51	9.84	7.27	3.15	BVBU300-1000	2	23
4"*	7.68	14.45	8.98	3.93	BVBU400-1000	2	47

\*Derated to 1,000 PSI NSCWP on 2.5" and up

Part Description	Material	Qty
Body	A216-WCB	1
Ball	A182-F316	1
Seat	RTFE	2
Stem	A276-316SS	1